



FLEX – Modular SF6 Gas Analyzer

SKU: GQ-FLEX



Portable SF6 gas analyzer with swappable modules for quick calibration and maintenance. The “FLEX” features emission-free operation with the ability to pump back gas after measurement. The high contrast touch screen display is easy to see in sunlight and intuitive navigation makes operation simple.

SENSOR MODULES = FAST CALIBRATION

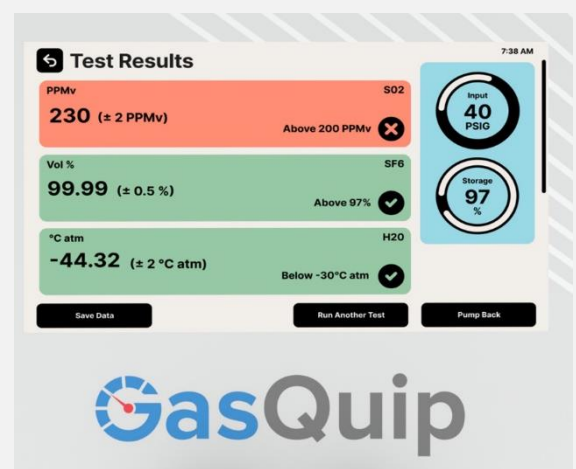
When your device needs calibration, sensor modules are sent to swap in, and you have no down time as a result.

ACCURATE & REPEATABLE TESTS

Measurements on SF6, SO2, and moisture that you can trust. Advanced sensors coupled high purity components ensure reliability for years to come.

SIMPLE OPERATION

The simplified touch screen interface makes operation painless. A high contrast display allows for use in the brightest environments.



General	
Device Dimensions	27.4 x 15.1 x 11.8 in (69.6 x 38.4 x 30 cm)
Weight	50lbs
Inlet Pressure	5-145 PSI
Touch Panel Size	7" Sunlight Readable
Sampling Time	~7 Minutes
Power Supply	120 / 240 V
Data Export	USB Port
Gas Connections	Rectus Type 21
Languages	English (More to Come)
Calibration Certificates	For Each Module

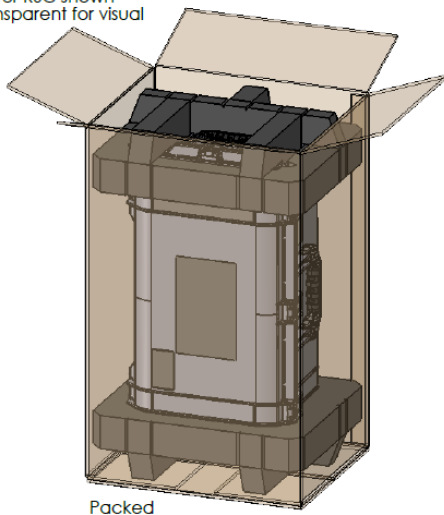
Shipping Information	
Package Dimensions	32" x 20" x 16"
Package Weight	51lbs

Standard Features:	
Gas Pump back	Hose Evacuation
External Gas Storage Port	Set Pass/Fail Thresholds
Quick Swap Sensor Modules	Calibration Interval Track
Custom Data Entry	Easy Software Updates

Standard Accessories	
DN8 Adapter	MQD-DN8F
DN20 Adapter	MQD-DN20F
15' Sample Hose	GQ-FLEX-SH
Power Cord	GQ-FLEX-PC
Manual	n/a
USB Drive	n/a

Additional Accessories	
Gas Recovery Bag	GQ-GRB
Analyzer Calibration Gas Kit	GQ-CAL-GAS-ANLZR
Analyzer Adapter Fittings Kit	GQ-ANLZR-AKIT

Outer RSC shown
transparent for visual



Packed

Sensor Modules				
	<u>Moisture</u>	<u>SF6 Volume %</u>	<u>SO2</u>	<u>Optional: Coming Soon</u>
Part Number	GQ-FLEX-MOD-H2O	GQ-FLEX-MOD-SF6	GQ-FLEX-MOD-SO2	
Sensor Type	Capacitive Polymer	Infrared	Electrochemical	
Accuracy	± 2 °C	± 0.5 %	± 2 %	
Calibration Interval	1 Year	2 Years	1 Year	
Units	°C atm, °F atm, PPMw, PPMv	% SF6	PPMV	



**CORPORATE
HEADQUARTERS**
GasQuip LLC
11400 Suite 404
College Station, TX 77845
USA

gasquip.com

Equipment described herein is subject to US export regulations and may require a license prior to export. Diversion contrary to US law is prohibited. Imagery for illustration purposes only. Specifications are subject to change without notice. ©2023 GASQUIP LLC Systems, Inc. All rights reserved. 02/23